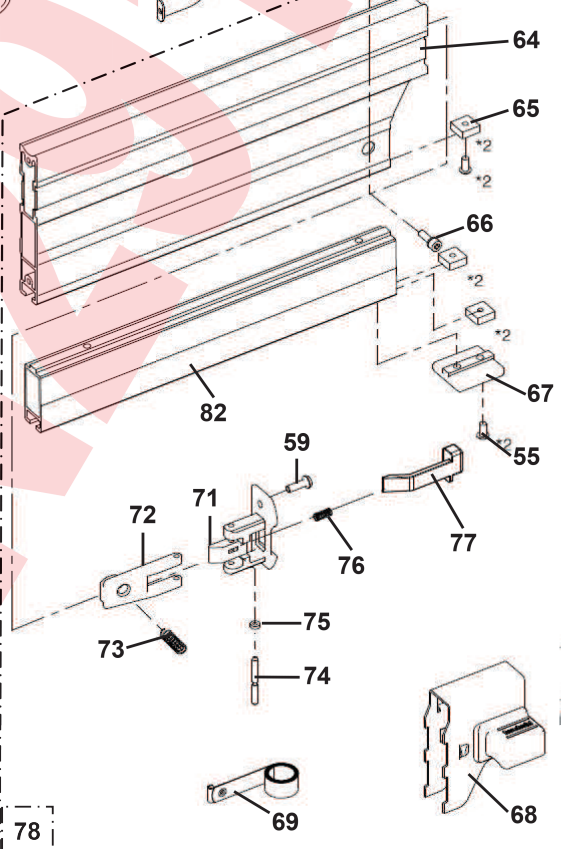
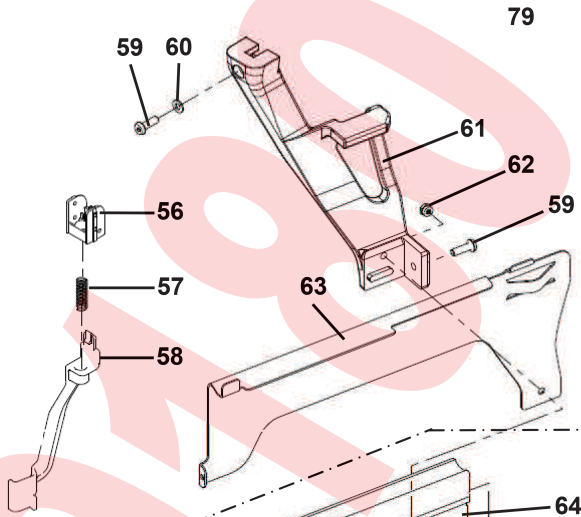


**haubold** **PN29180**  
FESTNAGEL SYSTEM  
Code: 275797  
Träger-Installation: Full Sequential  
ITW Befestigungssysteme GmbH, Carl-Zeiss-Str. 19 - 30966 Hemmingen, Germany

FASTENER SPECIFICATION  
haubold BS29000

130 - 180

CE



No.	Code	Name	No.	Code	Name
1	617370	CAP ASM.	43	617660	BUMPER PLATE
2	613071	SCREW	44	617661	DOOR BUMPER
3	574394	FRONT BRACKET	45	617665	RUBBER PAD
4	617367	EXHAUST COVER	46	576760	CHANNEL PLATE
5	576758	SCREW	47	617666	SPRING
6	613008	SPRING	48	617663	STAPLE GUIDE BLOCK
7	613009	WASHER	50	576759	INNER STAPLE GUIDANCE
8	613010	O-RING	51	617667	EXCENTER
9	613011	PISTON HEAD VALVE	52	576766	FRONT PLATE ASM.
10	613012	O-RING	53	576767	DEPTH ADJUSTMENT ASM.
11	613013	SEAL	54	617692	LOW STAPLE GUIDANCE
12	613014	PLAIN WASHER	55	617691	SCREW
13	617369	PISTON STOPPER	56	613055	TRIP GUIDE
14	575680	CYLINDER COLLAR	57	617677	SPRING
15	576757	CYLINDER	58	617678	UPPER SAFETY LEVER
16	575677	O-RING	59	617654	SCREW
17	613114	CYLINDER RING	60	613433	FLAT WASHER
18	617372	COLLAR	61	617655	MAGAZINE BRACKET
19	613022	O-RING	62	617656	LOCK NUT
20	574403	GASKET	63	617658	MAGAZINE COVER
21	617373	BODY ASM.	64	617685	MAGAZINE
22	617652	BUMPER	65	617688	CLAMPING PLATE
23	613027	O-RING	66	617689	SCREW
24	576756	DRIVER ASSEMBLY	67	617690	END SUPPORT
25	617648	PISTON RING SET	68	617686	PUSHER GUIDE
26			69	617687	SPIRAL SPRING ASM.
27	617659	SWITCH ASM.	71	617680	MAGAZINE END CAP
28	613617	AIR PLUG	72	617681	STOPPER
29	574400	SCREW	73	613060	SPRING
30	574401	COVER	74	617684	STEPPED PIN
31	574402	GASKET	75	613034	RETAIN RUBBER
32	613031	ROLLED PIN	76	617683	SPRING
33	575642	LOGO LABEL	77	617682	PUSHER RELEASE BUTTON
34	617635	O-RING	78	576768	MAGAZINE ASM.
35	617699	TRIGGER	79	575798	MODEL LABEL
36	613053	SPRING	80	617735	SPRING
38	576763	BASE ASM.	81	576762	ADAPTER
39	617653	BASE	82	576761	MAGAZINE EXTENSION
40	617636	SCREW			
41	613122	ROLLED PIN			
42	617657	PARALLEL KEY			