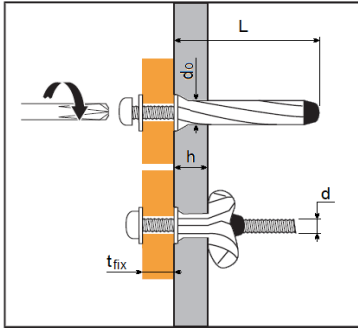


ELEMATIC XTECH

Zinc coated screws or accessories



1/1



High performance anchor for boards and hollow blocks

Dual material expansion anchor for lightweight fixing in drywall boards, clay or concrete hollow blocks.

Technical data

Elematic XTECH	Screw thread size (mm)	Wall thickness min-max (mm)	Drilling diameter (mm)	Overall anchor length (mm)	Fixture maximum thickness (mm)	Code
	d	h	d ₀	L	t _{fix}	
XTECH VCB 10X50	M 5	3-18	10	50	15	565892
XTECH VCB 10X60	M 5	18-30	10	60	15	565898
XTECH GM 10X50	M 5	3-18	10	50	-	565894
XTECH OA 10X50	M 5	3-18	10	50	-	565895
XTECH OC 10X50	M 5	3-18	10	50	-	565896



FIELD OF USE

Fixing in plasterboard, gypsum fibre, calcium-silicate boards and others with comparable properties, hollow clay bricks and hollow concrete blocks.

Example: electric cable ways or trunkings, conduit fixing, pipe collars, lightnings, cabinets, furnitures.

MATERIALS

Dual material expansion sleeve
Polyamide (body)
Technopolymer (cone)

Viteria

Class 4.8 carbon steel, 5 µm minimum zinc coating thickness

INSTALLATION

Drill a hole using a ø 10 mm drill-bit suitable for the material.

Insert the anchor in the hole until the collar is in contact with the surface, lightly tapping when necessary.

VCB type:

Insert the screw through the part to be fixed, then tighten manually or using a screwdriver until consistent clamping is obtained.

GM, OA, OC types:

Tighten manually, until a consistent torquing is obtained.

ULTIMATE LOADS (N_{RU,m}, V_{RU,m}), in kN

1 kN ≈ 100 Kg

TENSILE

VCB 10x50 10x60 GM/OA/OC

Plasterboard - SINGLE-WALL, thickness 12,5 mm

0,80 0,90 0,80

Plasterboard - DOUBLE-WALL, thickness 25 mm

- 1,10 0,80

Hollow clay brick

1,50 1,55 0,80

Hollow concrete block

1,50 1,55 0,80

SHEAR

VCB 10x50 10x60 GM/OA/OC

1,50 1,70 0,35

- 2,50 0,35

3,00 3,00 0,35

3,00 3,00 0,35

RECOMMENDED LOADS (N_{RU,m}, V_{RU,m}), in kN

1 kN ≈ 100 Kg

TENSILE

VCB 10x50 10x60 GM/OA/OC

Plasterboard - SINGLE-WALL, thickness 12,5 mm

0,16 0,18 0,16

Plasterboard - DOUBLE-WALL, thickness 25 mm

- 0,22 0,16

Hollow clay brick

0,30 0,31 0,16

Hollow concrete block

0,30 0,31 0,16

SHEAR

VCB 10x50 10x60 GM/OA/OC

0,30 0,34 0,07

- 0,50 0,07

0,60 0,60 0,07

0,60 0,60 0,07

DUAL MATERIAL EXPANSION TECHNOLOGY

High resistance technopolymer cone with metric thread



Metric threaded screw, with pre-assembled steel washer

Polyamide sleeve with anti-rotation fins and centering washer