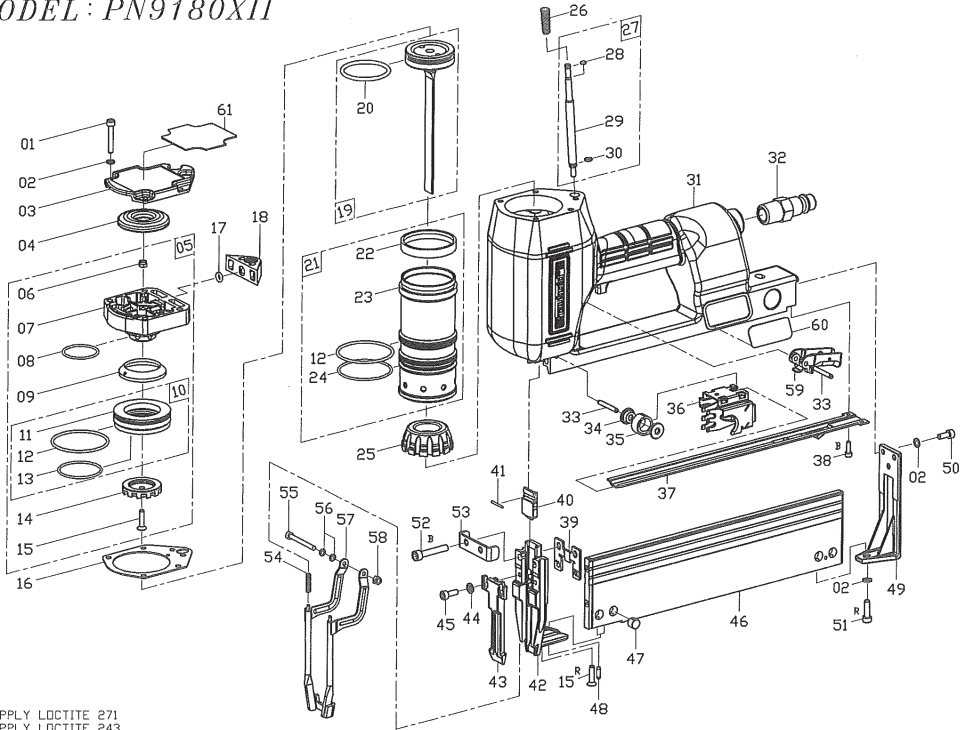


MODEL : PN9180XII



*R : APPLY LOCTITE 271
 *B : APPLY LOCTITE 243

ITEM	ITW P/N	DESCRIPTION	QTY	ITEM	ITW P/N	DESCRIPTION	QTY
1	570048	SCREW	6	49	571652	SUPPORT	1
2	572105	WASHER	11	50	570209	SCREW	3
3	573439	TOP COVER ASM	1	51	572132	SCREW	2
4	571670	SILENCER CPL X	1	52	570051	SCREW	2
5	572618	UPPER VALVE CPL.	1	53	572818	SUPPORT SHEET	1
6	570047	SECURITY-NUT	1	54	572010	PRESSURE SPRING	2
7	572619	UPPER VALVE CPL.	1	55	573733	SCREW	1
8	573492	O-RING	1	56	570049	WASHER	2
9	572718	DISTANCE PLATE PN-X	1	57	505630	SAFETY YOKE XII	1
10	572717	VALVE RING,CPL'PN-X'	1	58	401254	NUT	1
12	572087	O-RING	2	59	573448	TRIGGER(CONTACT)	1
13	572064	O-RING	1	59	571674	TRIGGER(SEQUENTIAL)	1
14	572620	LOWER VALVE PART	1	60	571653	Model Label PN9180 XII	1
15	572163	SCREW	3	62	577027	Manual	1
16	573440	FLAT SEAL PN-X	1				
17	572623	O-RING	1				
18	572622	TOP VALVE	1				
19	505626	PISTON ASM.	1				
20	573491	O-RING	1				
21	571648	CYLINDER CPL.	1				
22	571658	WASHER XI/II	1				
24	573487	O-RING	1				
25	505479	BUMPER	1				
26	573495	PRESSURE SPRING	1				
27	573569	VALVE ROD ASM.	1				
28	572076	O-RING	2				
30	572067	O-RING	1				
31	571650	BODY ASM XII	1				
32	613617	AIR PLUG	1				
33	570041	CLAMPING	2				
34	573496	SPRING ROLL	2				
35	572517	ROLL SPRING PN-X	1				
36	572555	PUSHER	1				
37	572464	GUIDE RAIL	1				
38	946608	SCREW	2				
39	573388	CENTRIAL PLATE	1				
40	572614	INSERT PIECE	1				
41	573484	SEAL	1				
42	571656	NOSE PLATE	1				
43	571655	FRONT PLATE	1				
44	505940	SUPPORT DISC	2				
45	572154	SCREW	2				
46	571651	STAPLE CARRIER CPL XI	1				
47	573672	NUT	4				
48	571672	PIN	1				